



Manual **EN**

操作手册 **中文**

BP Series Pure Sine Wave Inverter



contents

01	1 Product introduction	1
	1-1 Panel indicate diagram	1
	1-3 Protection Features	3
	1-2 Aviation socket	3
	1-3.1 Low voltage protection	3
	1-3.2 Over-voltage protection	3
	1-3.3 Overload protection	4
	1-3.4 Thermal protection	4
	1-3.5 Short-circuit protection	4
	1-3.6 Anti-anti-connect protection	4
02	<hr/>	
	2 Precautions	4
03	<hr/>	
	3. Installation and Use	4
	3-1 Wiring diagram	4
	3-2 Use of the environment	5
04	<hr/>	
	4 Troubleshooting & Warranty	5
	4-1 Troubleshooting	5
	4-2 Warranty	5
	<hr/>	



1. Product introduction

The inverter Installer must be professional. Because of the high voltage inside inverter, non-professional please do not open it. The inverter should be installed at a dry, well ventilated environment, keep the inlet more than 20cm away from the wall, avoid the air inlet clogging. Do not expose the inverter to the heat, moist, flammable, explosive, corrosive environment, dry cloth cleaning, avoiding water.

1. 1. Panel indicate diagram

Type 1: 300W

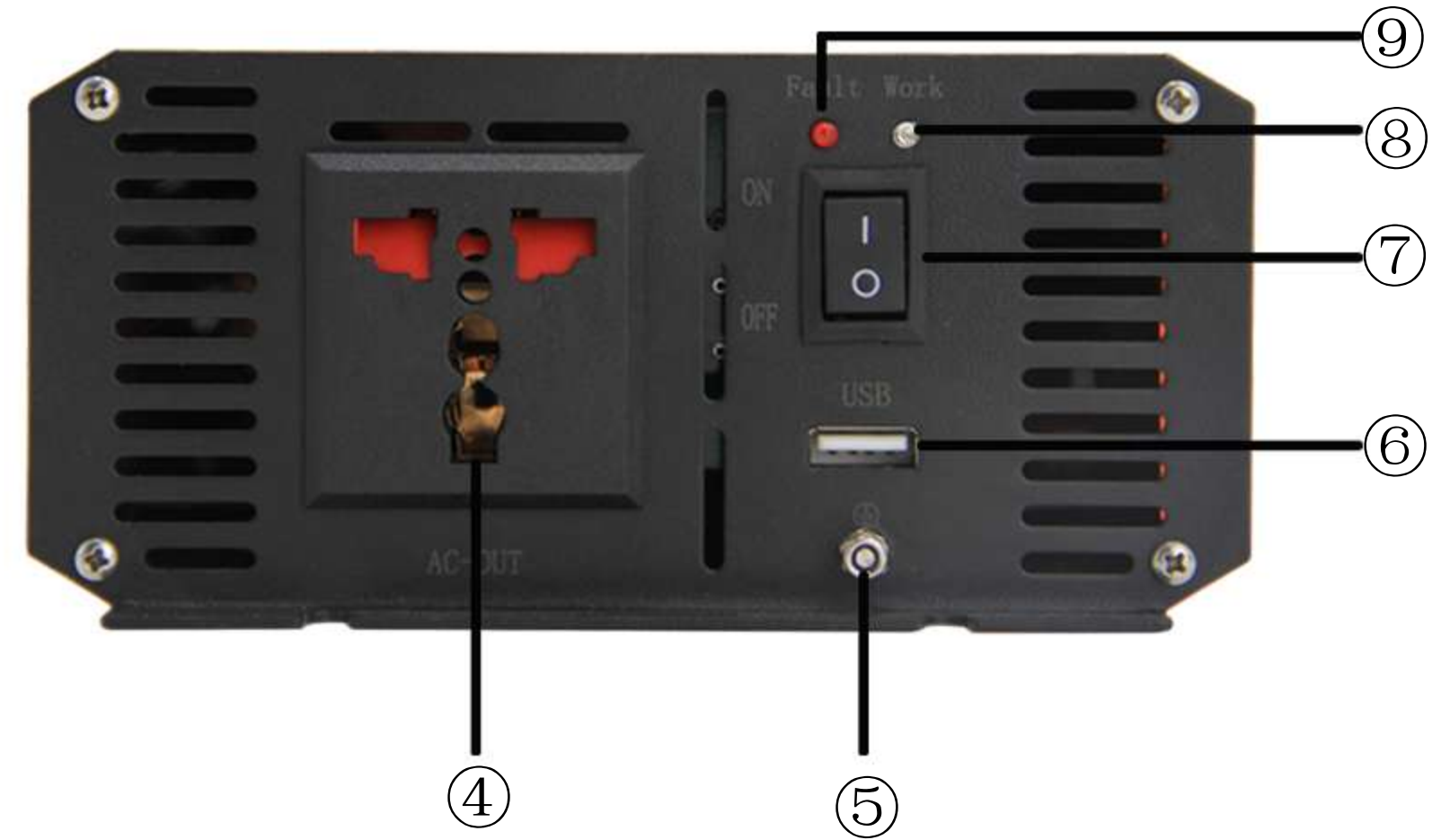
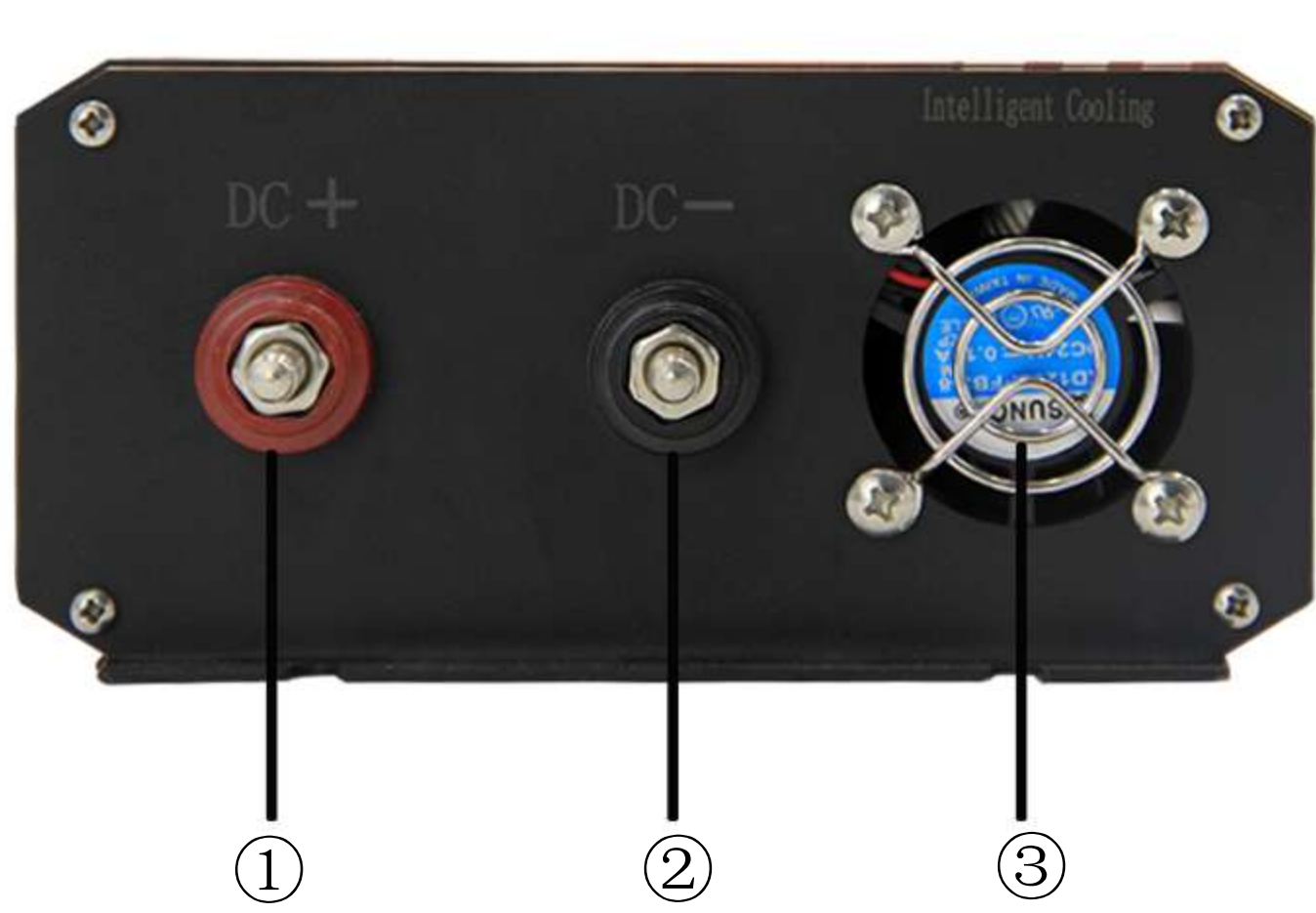


1. Red is the DC input positive pole
2. Cooling fan
3. Black is the DC input negative pole
4. Earth terminal
5. AC output socket

6. USB port
7. Red: fault light
8. Blue: inverter working light
9. Power on/off switch



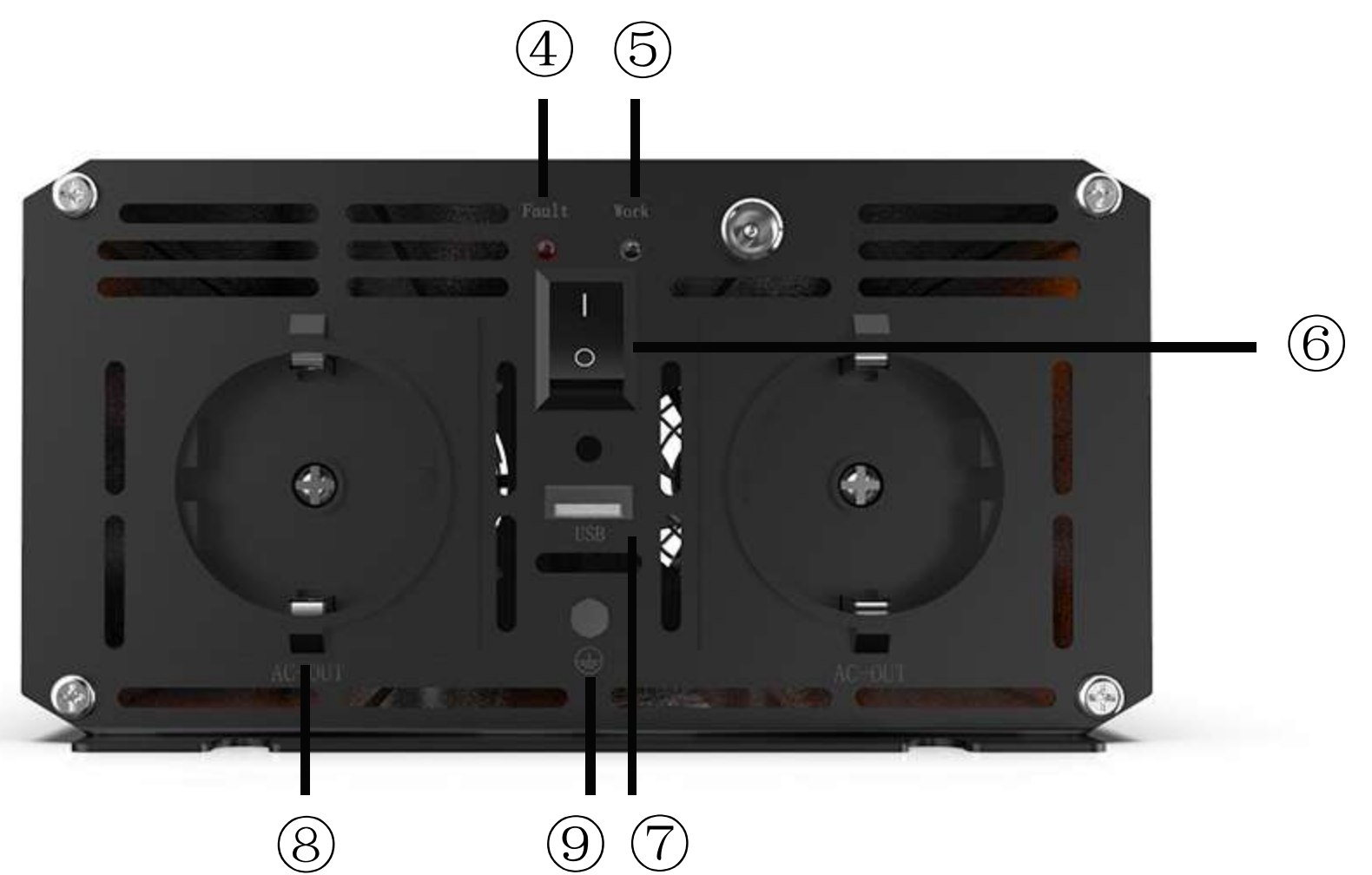
Type 2: 600W~1000W



- 1. Red is the DC input positive pole
- 2. Black is the DC input negative pole
- 3. Cooling fan
- 4. AC output socket
- 5. Red: fault light

- 6. Blue: inverter working light
- 7. Power on/off switch
- 8. USB port
- 9. Earth terminal

Type 3: 1500W~2500W

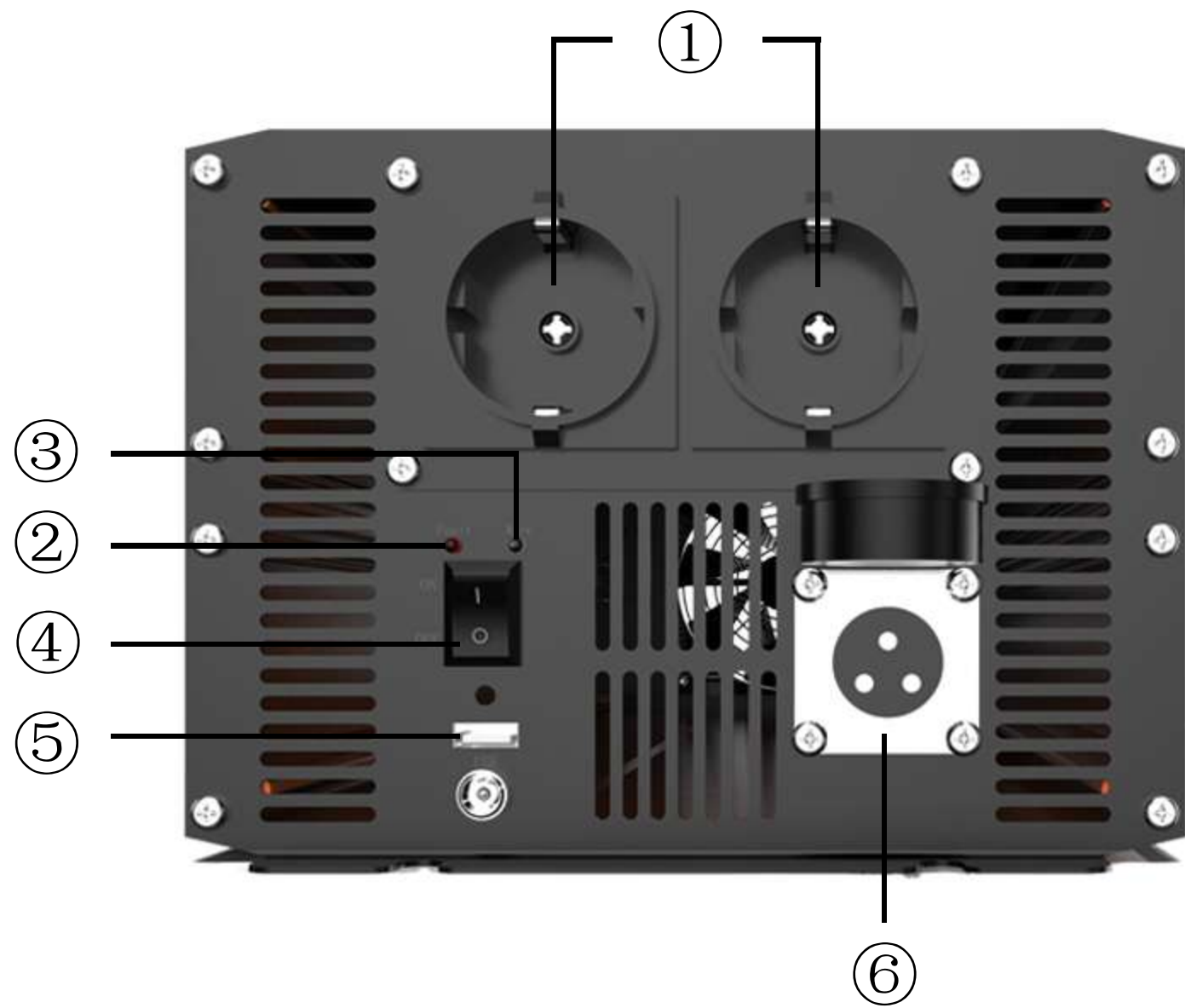


- 1. Red is the DC input positive pole
- 2. Cooling fan
- 3. Black is the DC input negative pole
- 4. Red: fault light
- 5. Blue: inverter working light

- 6. Power on/off switch
- 7. USB port
- 8. AC output socket
- 9. Earth terminal



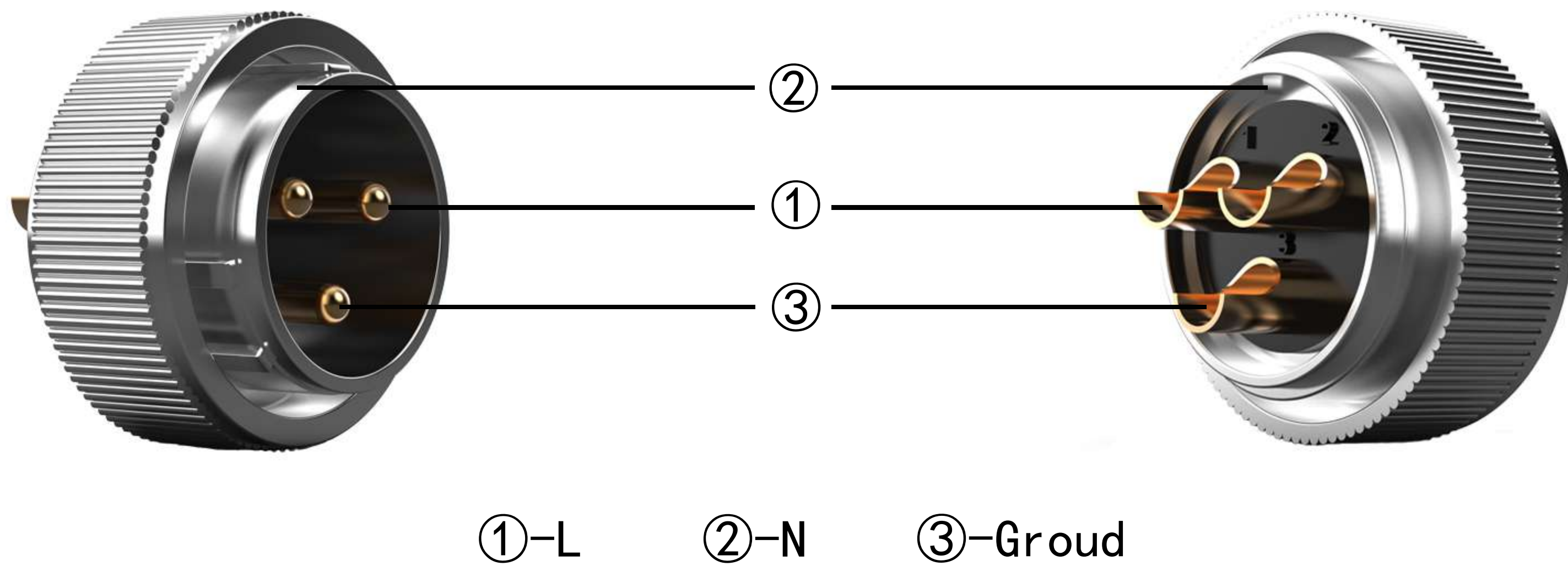
Type 4: 3000W~8000W



- 1. AC output socket
- 2. Red: fault light
- 3. Blue: inverter working light
- 4. Power on/off switch
- 5. USB port

- 6. Aviation socket
- 7. Red is the DC input positive pole
- 8. Cooling fan
- 9. Black is the DC input negative pole

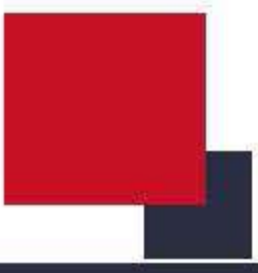
1.2 Aviation socket connect



1.3 Protection Features

1.3.1 Low voltage protection: when the battery is in low voltage range condition, device will shut down output, buzzer and red light working at the same time .

1.3.2 Over voltage protection: when the battery voltage is higher than the range of the device rated voltage, the device will shut down output, buzzer and red light working at the same time.



1.3.3 Over load protection: when the load power is greater than the device rated power, the device will shut down output, buzzer and red light working at the same time.

1.3.4 Over-Temp protection: when the internal temperature is over than 75 ° C, the device will shut down output, buzzer and red light working at the same time.

1.3.5 Short circuit protection: AC Output short circuit, the device will shut down output, buzzer and red light working at the same time.

1.3.6 Input Oppose protection: when DC input positive and negative poles reversed, the diode input oppose will burning the fuse to protect the inverter, need to replace the fuse.

2. Precautions

2.1 Load power do not exceed the inverter' s rated power.The red terminal is the inverter positive pole, the black terminal is negative pole, please connect the battery properly avoiding positive and negative reversed connecting.Please using the standard connection wire assigned by the factory.

2.2 Switch in the OFF position before connecting the power, the power supply use battery, solar power system.DC power supply, connect the power to confirm if the input of the inverter DC voltage is consistent with the power supply DC voltage, avoiding excessive voltage input inverter.

2.3 The inverter with off-grid power, AC output cannot be connected to other power supply(electricity). Before using, the inverter shall be connected to the earth. If do not use the inverter, please turn off the switch avoiding excessive no-load loss.

2.4 Please read above carefully, if you have the unclear point, please call our after-sales service to consultation. If not in accordance with the installation of this manual method of operation may cause personal injury or damage to machinery and equipment.

3. Installation and Use

3.1 Wiring diagram



3.2 Using environment

Working temperature: $-10^{\circ}\text{C}\sim+50^{\circ}\text{C}$

Storage temperature: $-30^{\circ}\text{C}\sim+70^{\circ}\text{C}$

Relative humidity: 0~80%, no condensation

Elevation: <1000m

4. Troubleshooting & Warranty

4.1 Troubleshooting

1. Inverter do not respond: check the connect condition, reconnect the wire; check the positive and negative terminal to confirm the correct connected, reconnect properly, replace the fuse.

2. Alarm and red light without output. Check the voltage is higher or lower than the inverter' s rated voltage range, replace the battery or control the voltage in the input voltage range. Check the temperature, if too high, cooling the inverter and put it in a ventilated place. Check the load power, if too high, please remove the part of the load power and restart the inverter. Check the output, eliminate the short circuit condition and restart. Check the wire, if too short, replace it. Open fail, then restart.

4.2 Warranty

This product is guaranteed for two years from date of purchase. If damaged by artificially, disassemble or modification, the company is not responsible for warranty. Products within 7 days from date of purchase have any problem, free exchange of new machines, artificially damage of the inverter housing or packaging is not in the exchange range.

This manual is only used to instruct and can' t represent the products exactly same. If any problem, please consult our technical service department, and it will be solved with the guidance of professional engineers.